

# P200 Series

Maximum Flow Rate: 255.4 lph  
 Maximum Pressure: 1000 psi (69 bar) for Metallic Pump Heads  
 350 psi (24 bar) for Non-metallic Pump Heads



P100 with Brass pump head

## Performance Maximum Estimated Flow at Designated Pressure

All Pumps (lph)		Metallic Pump Heads Only (lph)		Pump rpm	Gear Ratio	Motor rpm
7 bar	17 bar	34 bar	69 bar			
10.65	10.48	10.25	9.868	25	60:1	1500
12.81	12.60	12.34	11.91	30	50:1	
16.00	15.82	15.48	14.98	37.5	40:1	
21.32	21.09	20.68	20.04	50	30:1	
25.57	25.31	24.83	24.09	60	25:1	
31.96	31.63	31.07	30.17	75	20:1	
42.59	42.17	41.46	40.29	100	15:1	
63.87	63.25	62.23	60.55	150	10:1	
85.15	84.34	83.01	80.80	200	7.5:1	
127.7	126.5	124.6	121.3	300	5:1	
170.3	168.7	166.1	161.8	400	7.5:1	3000
255.4	253.0	249.2	242.8	600	5:1	

## Required Motor kW

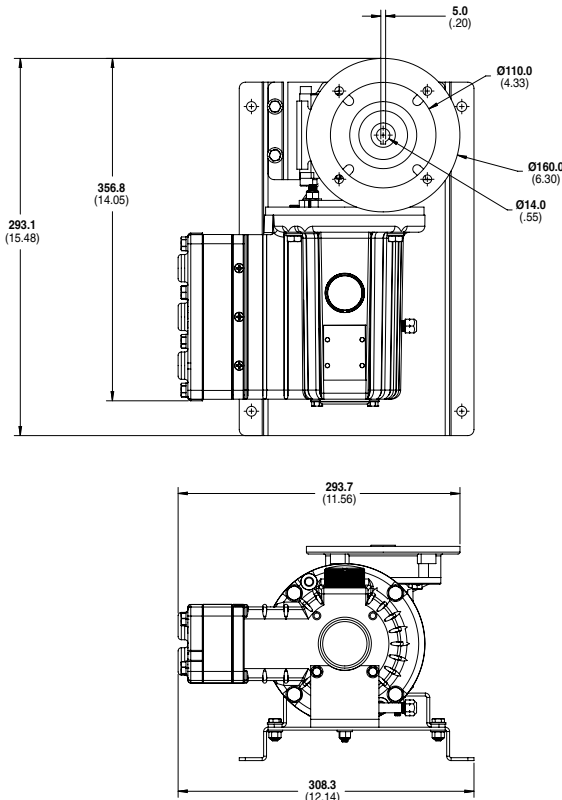
0.18	0.37	0.55	0.75
------	------	------	------

## Pump Data

Diaphragms per Liquid End	3
Flow Control	Electronic variable speed drive
Maximum Discharge Pressure	
Metallic Heads:	1000 psi (69 bar)
Non-metallic Heads:	PVDF- 350 psi (24 bar) Polypropylene- 250 psi (17 bar)
Maximum Inlet Pressure	250 psi (17 bar)
Maximum Operating Temperature	
Metallic Heads:	250°F (121°C)*
Non-metallic Heads:	140°F (60°C)
Inlet Port	1/2 inch NPT or BSPT
Discharge Port	3/8 inch NPT or BSPT
Weight (less motor)	
Metallic Heads:	41.8 lbs (19.0 kg)
Non-metallic Heads:	32.8 lbs (14.9 kg)
Dimensions (less motor)	
Metallic Heads:	15.59" W x 11.68" D x 8.97" H (396.1 mm W x 296.7 mm D x 227.8 mm H)
Non-metallic Heads:	15.59" W x 12.06" D x 8.97" H (396.1 mm W x 306.3 mm D x 227.8 mm H)

\* Consult factory for correct component selection for temperatures from 160°F (71°C) to 250°F (121°C).

## Representative Drawings mm (Inches)



**Metallic Pump Heads**

For accessories, options, and a system installation example, see page 138.

## How to Order

A complete pump order number contains 13 digits based on the specified pump materials listed below.

1	2	3	4	5	6	7	8	9	10	11	12	13
P	2	0	0									

### Pump Model Size (Digits 1-4)

**P200** For all P200 Pumps (Non Kel-Cell)

### Pump Version (Digit 5)

**N** NPT Ports (NEMA motors only)  
**M** BSPT Ports (IEC motors only)  
**X** ATEX BSPT Ports (IEC motors only)

### Pump Head / Retainer Material (Digit 6)

**B** Brass / Hastelloy C  
**M** PVDF / PVDF  
**P** Polypropylene / Polypropylene  
**S** 316L Stainless Steel / Hastelloy C  
**T** Hastelloy C / Hastelloy C

### Diaphragm & O-ring Material / Oil (Digit 7)▲

**A** Atlas / PTFE O-rings (Synthetic oil)  
**M** Atlas / PTFE O-rings & FKM drive case elastomers (Mesamoll oil)  
**E** EPDM (EPDM-compatible oil)  
**X** FKM (Synthetic oil)  
**J** PTFE (Food-contact oil)  
**P** Neoprene (Synthetic oil)  
**T** Buna-N (Synthetic oil)

▲ See price list for different actuating oils available with these materials.

### Check Valve Material (Digits 8-9)

#### (Valve Spring / Valve Seat / Valve)

**SS** Elgiloy / 316L SST / Nitronic 50  
**TT** Hastelloy C / Hastelloy C / Hastelloy C  
**SC** Elgiloy / Ceramic / Ceramic  
**TC** Hastelloy C / Ceramic / Ceramic

### Gearbox Ratio (Digits 10-12) IEC Motors

<b>060</b>	60:1	(63 B5 Motor Frame)
<b>050</b>	50:1	(63 B5 Motor Frame)
<b>040</b>	40:1	(63 B5 Motor Frame)
<b>030</b>	30:1	(63 B5 Motor Frame)
<b>025</b>	25:1	(63 B5 Motor Frame)
<b>020</b>	20:1	(63 B5 Motor Frame)
<b>015</b>	15:1	(63 B5 Motor Frame)
<b>A15</b>	15:1	(71 B5 Motor Frame)
<b>010</b>	10:1	(63 B5 Motor Frame)
<b>A10</b>	10:1	(71 B5 Motor Frame)
<b>B10</b>	10:1	(80 B5 Motor Frame)
<b>007</b>	7.5:1	(63 B5 Motor Frame)
<b>A07</b>	7.5:1	(71 B5 Motor Frame)
<b>B07</b>	7.5:1	(80 B5 Motor Frame)
<b>005</b>	5:1	(63 B5 Motor Frame)
<b>A05</b>	5:1	(71 B5 Motor Frame)
<b>B05</b>	5:1	(80 B5 Motor Frame)

### Base Plate (Digit 13)

**C** Carbon Steel (Epoxy painted)  
**S** 316L Stainless Steel