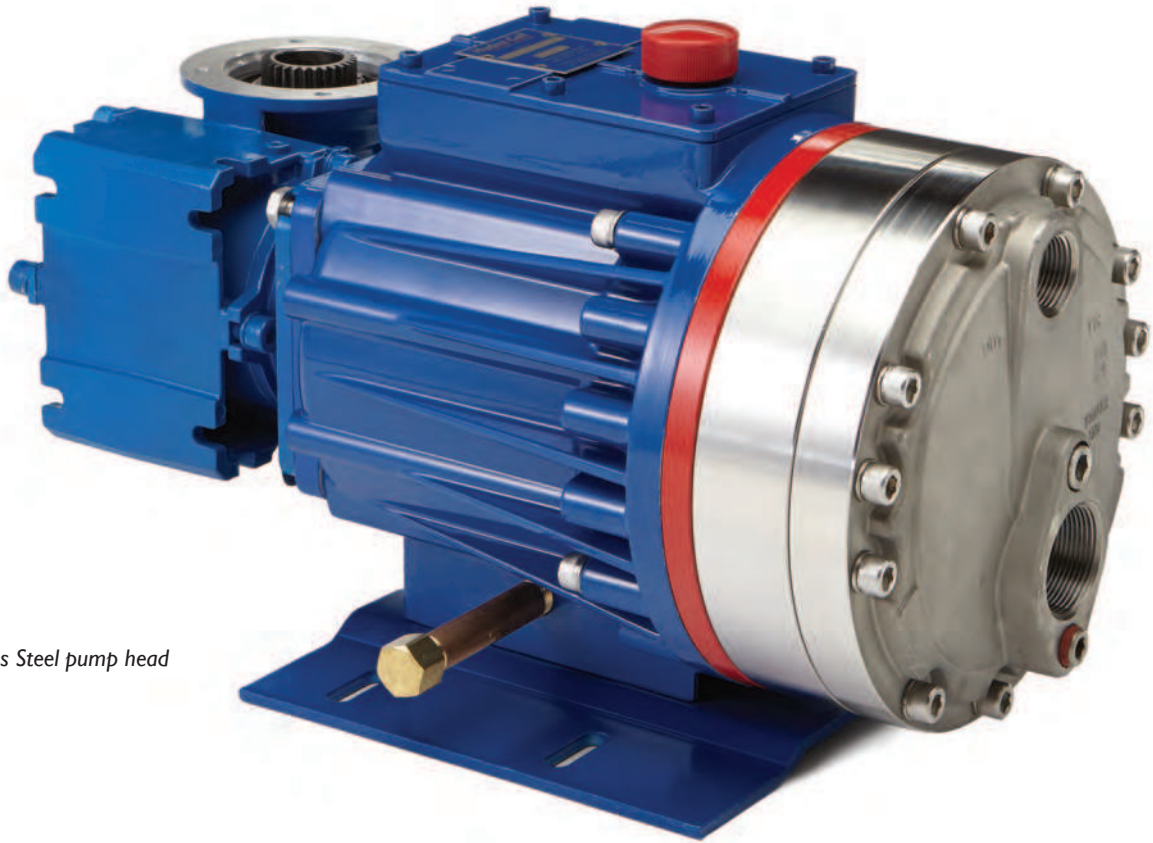


P600 Series

Maximum Flow Rate: 2808 lph
 Maximum Pressure: 1000 psi (69 bar) for Metallic Pump Heads
 350 psi (24 bar) for Non-metallic Pump Heads



P600 with Stainless Steel pump head

Performance* Maximum Estimated Flow at Designated Pressure

All Pumps (lph)		Metallic Pump Heads Only (lph)		Pump rpm	Gear Ratio	Motor rpm
7 bar	17 bar	34 bar	69 bar			
115.1	113.9	111.1	104.9	25	60:1	1500
138.5	137.2	134.0	127.3	30	50:1	
173.5	172.0	168.4	161.4	37.5	40:1	
232.0	230.2	225.8	216.9	50	30:1	
278.9	276.7	271.7	261.2	60	25:1	
349.2	346.5	340.5	327.8	75	20:1	
466.3	462.7	455.2	438.6	100	15:1	
700.5	695.3	684.7	660.4	150	10:1	
934.7	927.9	914.1	882.2	200	7.5:1	
1403	1393	1373	1326	300	5:1	
1872	1858	1832	1769	400	7.5:1	3000
2808	2788	2750	2656	600	5:1	

* Capacity data is shown for pumps with elastomeric diaphragms. Consult factory for performance characteristics of pumps with PTFE diaphragms.

Required Motor kW

0.18	0.37	0.55	0.75	1.1
1.5	2.2	3.7	5.5	7.5

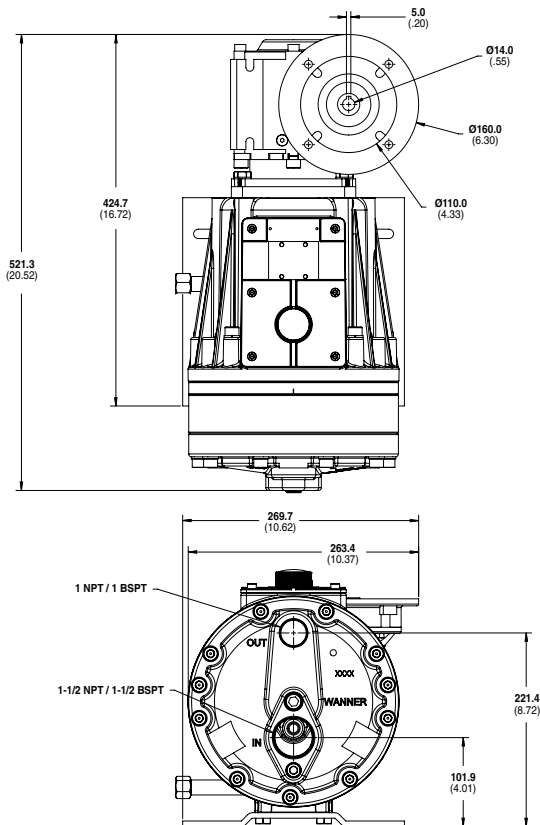
Pump Data

Diaphragms per Liquid End	3
Flow Control	Electronic variable speed drive
Maximum Discharge Pressure	
Metallic Heads:	1000 psi (69 bar)
Non-metallic Heads:	PVDF- 350 psi (24 bar) Polypropylene- 250 psi (17 bar)
Maximum Inlet Pressure	250 psi (17 bar)
Maximum Operating Temperature	
Metallic Heads:	250 °F (121 °C)*
Non-metallic Heads:	140 °F (60 °C)
Inlet Port	1-1/2 inch NPT or BSPT
Discharge Port	1 inch NPT or BSPT
Weight (less motor)**	
Metallic Heads:	146.0 lbs (66.2 kg)
Non-metallic Heads:	111.0 lbs (50.3 kg)
Dimensions (less motor)**	
Metallic Heads:	10.74" W x 20.64" D x 11.57" H (272.7 mm W x 524.3 mm D x 293.9 mm H)
Non-metallic Heads:	10.74" W x 21.56" D x 11.57" H (272.7 mm W x 547.6 mm D x 293.9 mm H)

* Consult factory for correct component selection for temperatures from 160 °F (71 °C) to 250 °F (121 °C).

** For 71 B5 motor frame only. Consult factory for other motor frame sizes.

Representative Drawings mm (Inches)

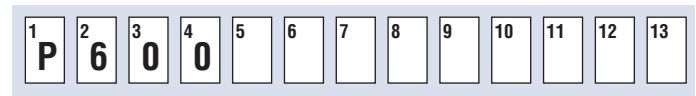


Metallic Pump Heads

For accessories, options, and a system installation example, see page 138.

How to Order

A complete pump order number contains 13 digits based on the specified pump materials listed below.



Pump Model Size (Digits 1-4)

P600 For all P600 Pumps (Kel-Cell)

Pump Version (Digit 5)

N NPT or ANSI Ports (NEMA motors only)
M BSPT or ANSI Ports (IEC motors only)
X ATEX BSPT Ports (IEC motors only)

Pump Head / Retainer Material (Digit 6)

B Brass / Hastelloy C
C Cast Iron / Hastelloy C
M PVDF / PVDF
P Polypropylene / Polypropylene
R 316L Stainless Steel (ANSI flange weldment) / Hastelloy C
S 316L Stainless Steel (NPT or BSPT) / Hastelloy C
T Hastelloy C / Hastelloy C

Diaphragm & O-ring Material / Oil (Digit 7)▲

A Aflas / PTFE O-rings (Synthetic oil)
E EPDM (EPDM-compatible oil)
X FKM (Synthetic oil)
J PTFE (Food-contact oil)
P Neoprene (Synthetic oil)
T Buna-N (Synthetic oil)

▲ See price list for different actuating oils available with these materials.

Check Valve Material (Digits 8-9)

(Valve Spring / Valve Seat / Valve)

SS Elgiloy / Nitronic 50 / Nitronic 50
TT Hastelloy C / Hastelloy C / Hastelloy C
SC Elgiloy / Ceramic / Ceramic
TC Hastelloy C / Ceramic / Ceramic

Gearbox Ratio (Digits 10-12) IEC Motors

A60	60:1	(71 B5 Motor Frame)
B60	60:1	(80 B5 Motor Frame)
A50	50:1	(71 B5 Motor Frame)
B50	50:1	(80 B5 Motor Frame)
A40	40:1	(71 B5 Motor Frame)
B40	40:1	(80 B5 Motor Frame)
A30	30:1	(71 B5 Motor Frame)
B30	30:1	(80 B5 Motor Frame)
B25	25:1	(80 B5 Motor Frame)
C25	25:1	(90 B5 Motor Frame)
B20	20:1	(80 B5 Motor Frame)
C20	20:1	(90 B5 Motor Frame)
B15	15:1	(80 B5 Motor Frame)
C15	15:1	(90 B5 Motor Frame)
B10	10:1	(80 B5 Motor Frame)
C10	10:1	(90 B5 Motor Frame)
D10	10:1	(110/112 B14 Motor Frame)
B07	7.5:1	(80 B5 Motor Frame)
C07	7.5:1	(90 B5 Motor Frame)
D07	7.5:1	(110/112 B14 Motor Frame)
B05	5:1	(80 B5 Motor Frame)
C05	5:1	(90 B5 Motor Frame)
D05	5:1	(110/112 B14 Motor Frame)

Base Plate (Digit 13)

C Carbon Steel (Epoxy painted) for A & B reducers, size 63
H Carbon Steel (Epoxy painted) for C & D reducers, size 75