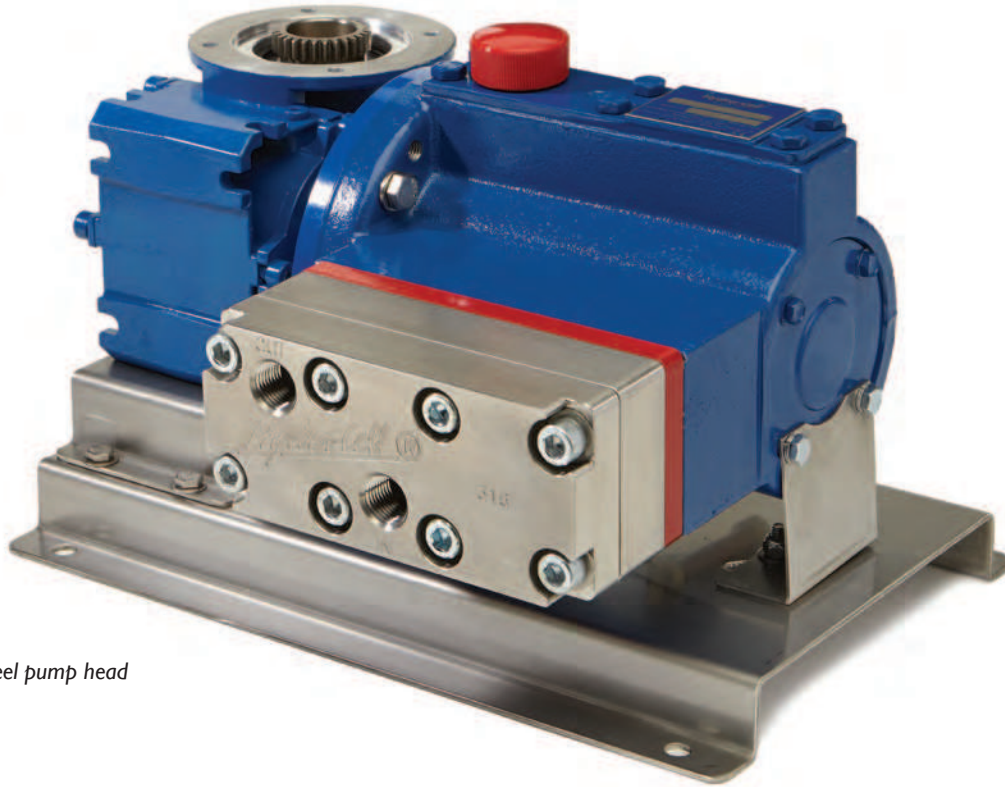


P300 Series

Maximum Flow Rate: 256.8 lph

Maximum Pressure: 2500 psi (172 bar) for Metallic Pump Heads



P300 with Stainless Steel pump head

Performance Maximum Estimated Flow at Designated Pressure

7 bar	Metallic Pump Heads Only (lph)			Pump rpm	Gear Ratio	Motor rpm
	34 bar	103 bar	172 bar			
10.16	10.04	9.51	8.648	25	60:1	1500
12.29	12.14	11.53	10.57	30	50:1	
15.58	15.40	14.53	13.47	37.5	40:1	
20.94	20.66	19.54	18.25	50	30:1	
25.23	24.86	23.54	22.07	60	25:1	
31.66	31.17	29.55	27.81	75	20:1	
42.39	41.68	39.56	37.36	100	15:1	
63.83	62.70	59.59	56.47	150	10:1	
85.28	83.72	79.61	75.58	200	7.5:1	
128.2	125.8	119.7	113.8	300	5:1	
171.1	167.8	159.7	152.0	400	7.5:1	3000
256.8	251.9	239.8	228.5	600	5:1	

Required Motor kW

0.18	0.37	0.55	0.75	1.1	1.5
------	------	------	------	-----	-----

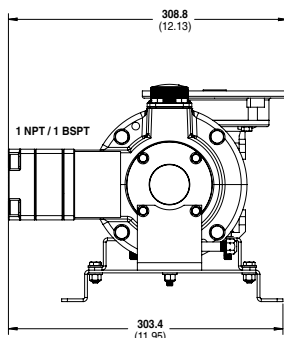
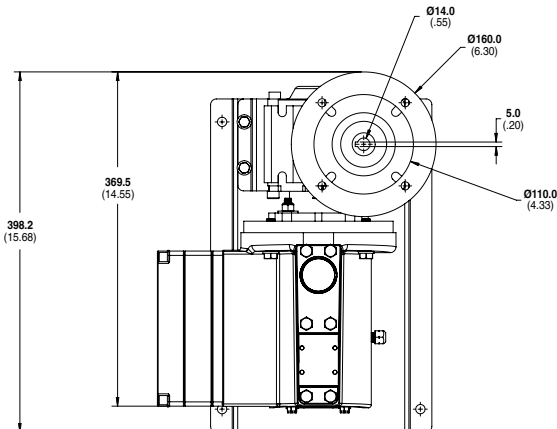
Pump Data

Diaphragms per Liquid End	3
Flow Control	Electronic variable speed drive
Maximum Discharge Pressure	
Metallic Heads:	2500 psi (172 bar)
Maximum Inlet Pressure	500 psi (34 bar)
Maximum Operating Temperature	
Metallic Heads:	250 °F (121 °C)*
Inlet Port	1/2 inch NPT or BSPT
Discharge Port	1/2 inch NPT or BSPT
Weight (less motor)**	
Metallic Heads:	54.5 lbs (24.7 kg)
Dimensions (less motor)**	
Metallic Heads:	15.79" W x 12.25" D x 9.46" H (401.2 mm W x 311.0 mm D x 240.2 mm H)

* Consult factory for correct component selection for temperatures from 160°F (71 °C) to 250°F (121 °C).

** For 63 B5 motor frame only. Consult factory for other motor frame sizes.

Representative Drawings mm (Inches)



Metallic Pump Heads

For accessories, options, and a system installation example, see page 138.

How to Order

A complete pump order number contains 13 digits based on the specified pump materials listed below.



Pump Model Size (Digits 1-4)

P300 For all P300 Pumps (Non Kel-Cell)

Pump Version (Digit 5)

N NPT Ports (NEMA motors only)
M BSPT Ports (IEC motors only)
X ATEX BSPT Ports (IEC motors only)

Pump Head / Retainer Material (Digit 6)

B Brass / Hastelloy C
R 304 Stainless Steel / Hastelloy C
S 316L Stainless Steel / Hastelloy C
T Hastelloy C / Hastelloy C

Diaphragm & O-ring Material / Oil (Digit 7)▲

E EPDM (EPDM-compatible oil)
X FKM (Synthetic oil)
J PTFE (Food-contact oil)
T Buna-N (Synthetic oil)

▲ See price list for different actuating oils available with these materials.

Check Valve Material (Digits 8-9)

(Valve Spring / Valve Seat / Valve)

SS Elgiloy / Nitronic 50 / Nitronic 50
TT Hastelloy C / Hastelloy C / Hastelloy C
SD Elgiloy / Tungsten Carbide / Tungsten Carbide
TD Hastelloy C / Tungsten Carbide / Tungsten Carbide

Gearbox Ratio (Digits 10-12) IEC Motors

060 60:1 (63 B5 Motor Frame)
050 50:1 (63 B5 Motor Frame)
040 40:1 (63 B5 Motor Frame)
A30 30:1 (71 B5 Motor Frame)
A25 25:1 (71 B5 Motor Frame)
A20 20:1 (71 B5 Motor Frame)
A15 15:1 (71 B5 Motor Frame)
A10 10:1 (71 B5 Motor Frame)
B10 10:1 (80 B5 Motor Frame)
C10 10:1 (90 B5 Motor Frame)
A07 7.5:1 (71 B5 Motor Frame)
B07 7.5:1 (80 B5 Motor Frame)
C07 7.5:1 (90 B5 Motor Frame)
B05 5:1 (80 B5 Motor Frame)
C05 5:1 (90 B5 Motor Frame)

Base Plate (Digit 13)

C Carbon Steel (Epoxy painted)
S 316L Stainless Steel