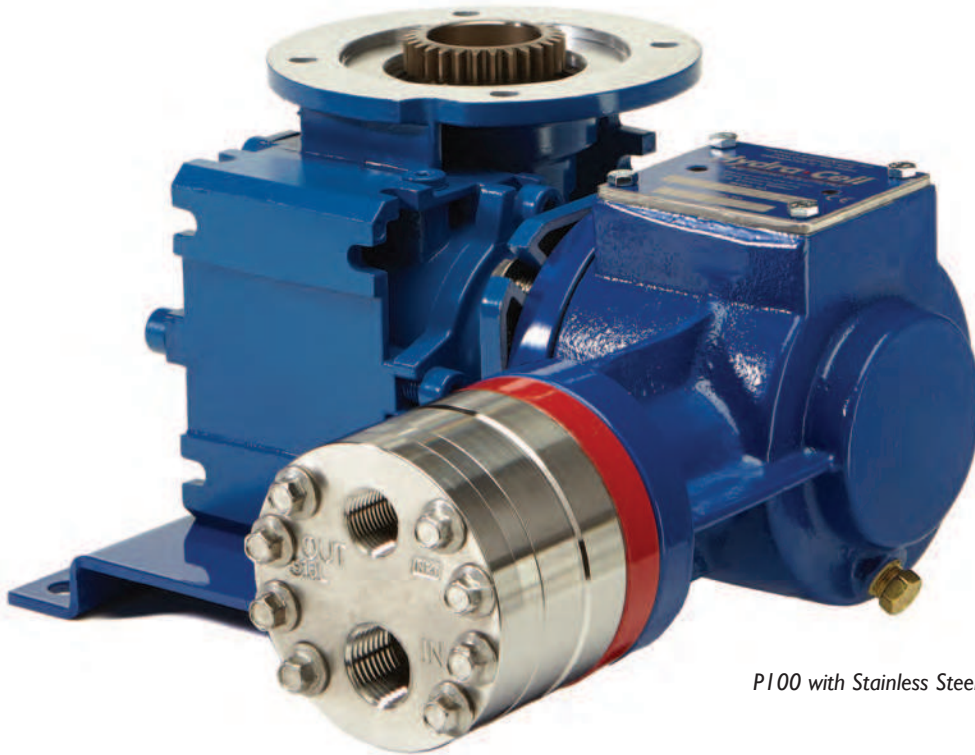


PI00 Series

Maximum Flow Rate: 85.0 lph
 Maximum Pressure: 1500 psi (103 bar) for Metallic Pump Heads
 350 psi (24 bar) for Non-metallic Pump Heads



PI00 with Stainless Steel pump head

Performance* Maximum Estimated Flow at Designated Pressure

All Pumps (lph)		Metallic Pump Heads Only (lph)			Pump rpm	Gear Ratio	Motor rpm
7 bar	17 bar	34 bar	69 bar	103 bar			
3.425	3.396	3.337	3.203	3.095	23.33	60:1	1500
4.150	4.102	4.016	3.850	3.735	28.00	50:1	
5.140	5.135	5.068	4.841	4.708	35.00	40:1	
6.916	6.884	6.777	6.486	6.307	46.67	30:1	
8.336	8.283	8.145	7.801	7.587	56.00	25:1	
10.47	10.38	10.20	9.774	9.507	70.00	20:1	
14.02	13.88	13.61	13.06	12.71	93.33	15:1	
21.12	20.88	20.45	19.64	19.11	140.0	10:1	
28.22	27.87	27.29	26.22	25.50	186.7	7.5:1	
42.43	41.87	40.96	39.37	38.30	280.0	5:1	
56.63	55.86	54.64	52.53	51.10	373.3	7.5:1	3000
85.04	83.85	81.98	78.84	76.70	560.0	5:1	

* Capacity data is shown for pumps with elastomeric diaphragms. Consult factory for performance characteristics of pumps with PTFE diaphragms.

Required Motor kW

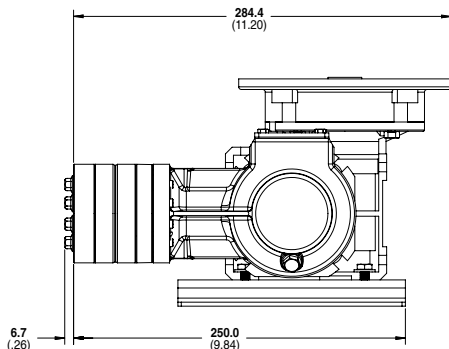
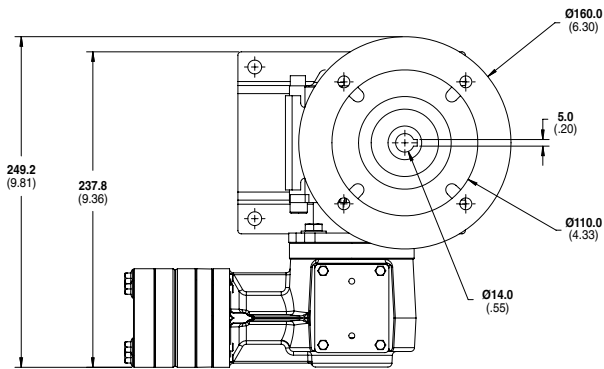
0.18 0.37 0.55

Pump Data

Diaphragms per Liquid End	1
Flow Control	Electronic variable speed drive
Maximum Discharge Pressure	
Metallic Heads:	1500 psi (103 bar)
Non-metallic Heads:	PVDF- 350 psi (24 bar) Polypropylene- 250 psi (17 bar)
Maximum Inlet Pressure	250 psi (17 bar)
Maximum Operating Temperature	
Metallic Heads:	250° F (121° C)*
Non-metallic Heads:	140° F (60° C)
Inlet Port	1/2 inch NPT or BSPT
Discharge Port	3/8 inch NPT or BSPT
Weight (less motor)	
Metallic Heads:	21.3 lbs (9.7 kg)
Non-metallic Heads:	19.2 lbs (8.7 kg)
Dimensions (less motor)	
Metallic Heads:	9.93" W x 11.58" D x 6.92" H (252.2 mm W x 297.1 mm D x 175.8 mm H)
Non-metallic Heads:	9.93" W x 11.61" D x 6.92" H (252.2 mm W x 294.9 mm D x 175.8 mm H)

* Consult factory for correct component selection for temperatures from 160° F (71° C) to 250° F (121° C).

Representative Drawings mm (Inches)

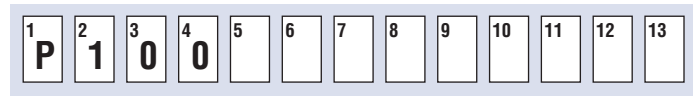


Metallic Pump Heads

For accessories, options, and a system installation example, see page 138.

How to Order

A complete pump order number contains 13 digits based on the specified pump materials listed below.



Pump Model Size (Digits 1-4)

P100 For all P100 Pumps (Non Kel-Cell)

Pump Version (Digit 5)

N NPT Ports (NEMA motors only)
M BSPT Ports (IEC motors only)
X ATEX BSPT Ports (IEC motors only)

Pump Head / Retainer Material (Digit 6)

B Brass / Hastelloy C
M PVDF / PVDF
P Polypropylene / Polypropylene
S 316L Stainless Steel / Hastelloy C
T Hastelloy C / Hastelloy C

Diaphragm & O-ring Material / Oil (Digit 7)[▲]

A Atlas / PTFE O-rings (Synthetic oil)
E EPDM (EPDM-compatible oil)
X FKM (Synthetic oil)
J PTFE (Food-contact oil)
P Neoprene (Synthetic oil)
T Buna-N (Synthetic oil)

[▲] See price list for different actuating oils available with these materials.

Check Valve Material (Digits 8-9)

(Valve Spring / Valve Seat / Valve)

SS Elgiloy / 316L SST / Nitronic 50
TT Hastelloy C / Hastelloy C / Hastelloy C
SC Elgiloy / Ceramic / Ceramic
TC Hastelloy C / Ceramic / Ceramic

Gearbox Ratio (Digits 10-12) IEC Motors

060 60:1 (63 B5 Motor Frame)
050 50:1 (63 B5 Motor Frame)
A40 40:1 (71 B5 Motor Frame)
A30 30:1 (71 B5 Motor Frame)
A25 25:1 (71 B5 Motor Frame)
A20 20:1 (71 B5 Motor Frame)
A15 15:1 (71 B5 Motor Frame)
A10 10:1 (71 B5 Motor Frame)
A07 7.5:1 (71 B5 Motor Frame)
A05 5:1 (71 B5 Motor Frame)

Base Plate (Digit 13)

C Carbon Steel (Epoxy painted)
S 316L Stainless Steel